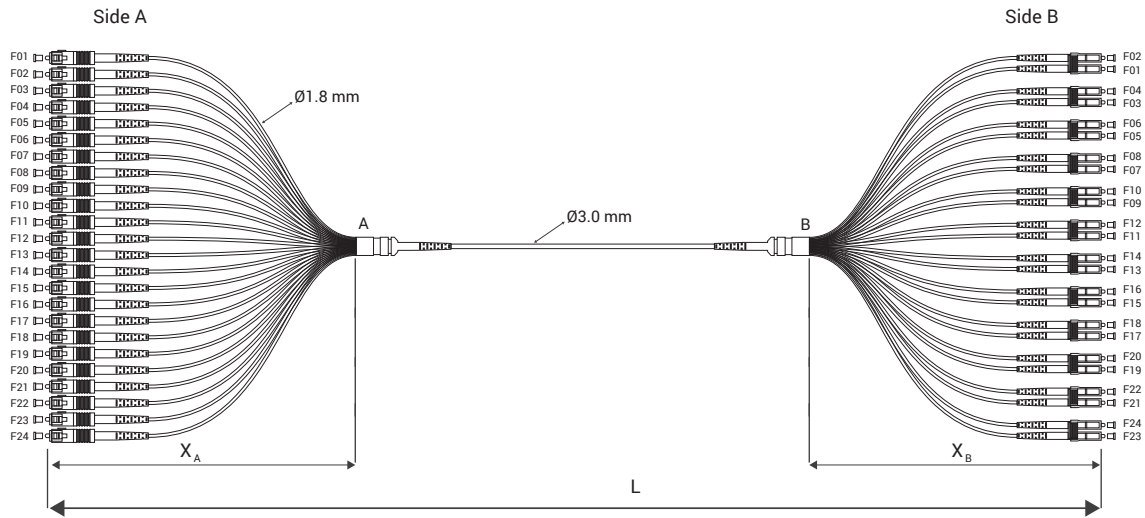
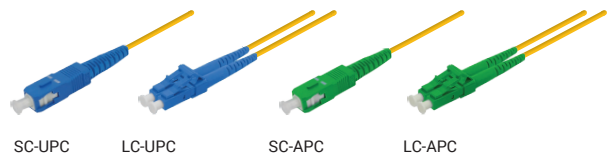
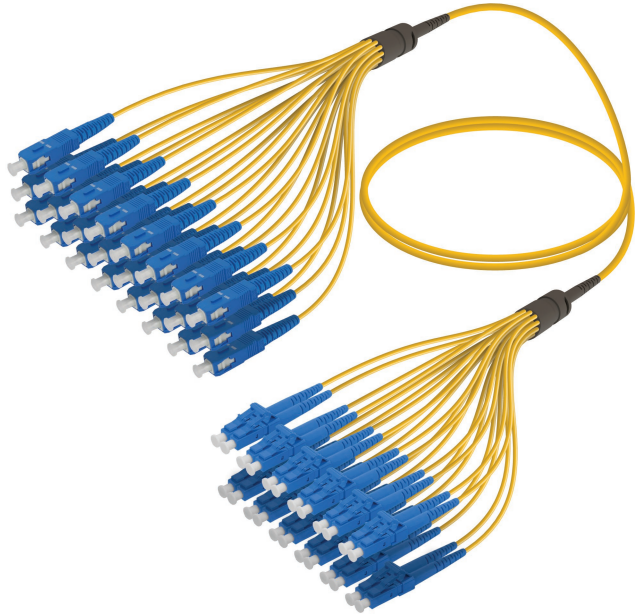


Fanout Single Mode 24 Fibers 1.8mm

Properties

LC Connector Compliance	IEC 61754-20, TIA 604-10-A, RoHS
SC Connector Compliance	IEC 61754-4, TIA 604-3, RoHS
Fiber Count	24 Fibers
Cable Diameter	3.0mm
Subunit Diameter	1.8mm
Alignment Technology	Full ceramic ferrule (Zirconia ZrO2)
Operating Temperature	-40°C to +85°C
Flammability	UL94 V-0
Durability	> 1000 mating cycles
Transmission with Applied Tensile Load	GR-326 CORE 4.4.3.5
Insertion Loss: IEC 61300-3-4-MB	Singlemode: ≤ 0.30dB
Return Loss: IEC 61300-3-6-MB	Singlemode UPC : ≥ 50dB Singlemode APC : ≥ 60dB
Connector End Face Geometry	IEC 61755-3



* X (Tube Length) is standard 500mm. Please contact us for different tube length.

Sample Coding **I - PC - 24 - FC - 318 - A2 - 24SCS - 12LCD - 005M**

Type	Type	Fiber Count	Cable Type	Diameter	Fiber Type	1. Connector	2. Connector	Length
Indoor: I	Patch Cord: PC	24 Fibers: 24	Fanout: FC	3.0/1.8mm: 318	SM G.657 A2: A2	SC-UPC: 24SCS SC-APC: 24SAS LC-UPC: 12LCD LC-APC: 12LAD	SC-UPC: 24SCS SC-APC: 24SAS LC-UPC: 12LCD LC-APC: 12LAD	__ _M